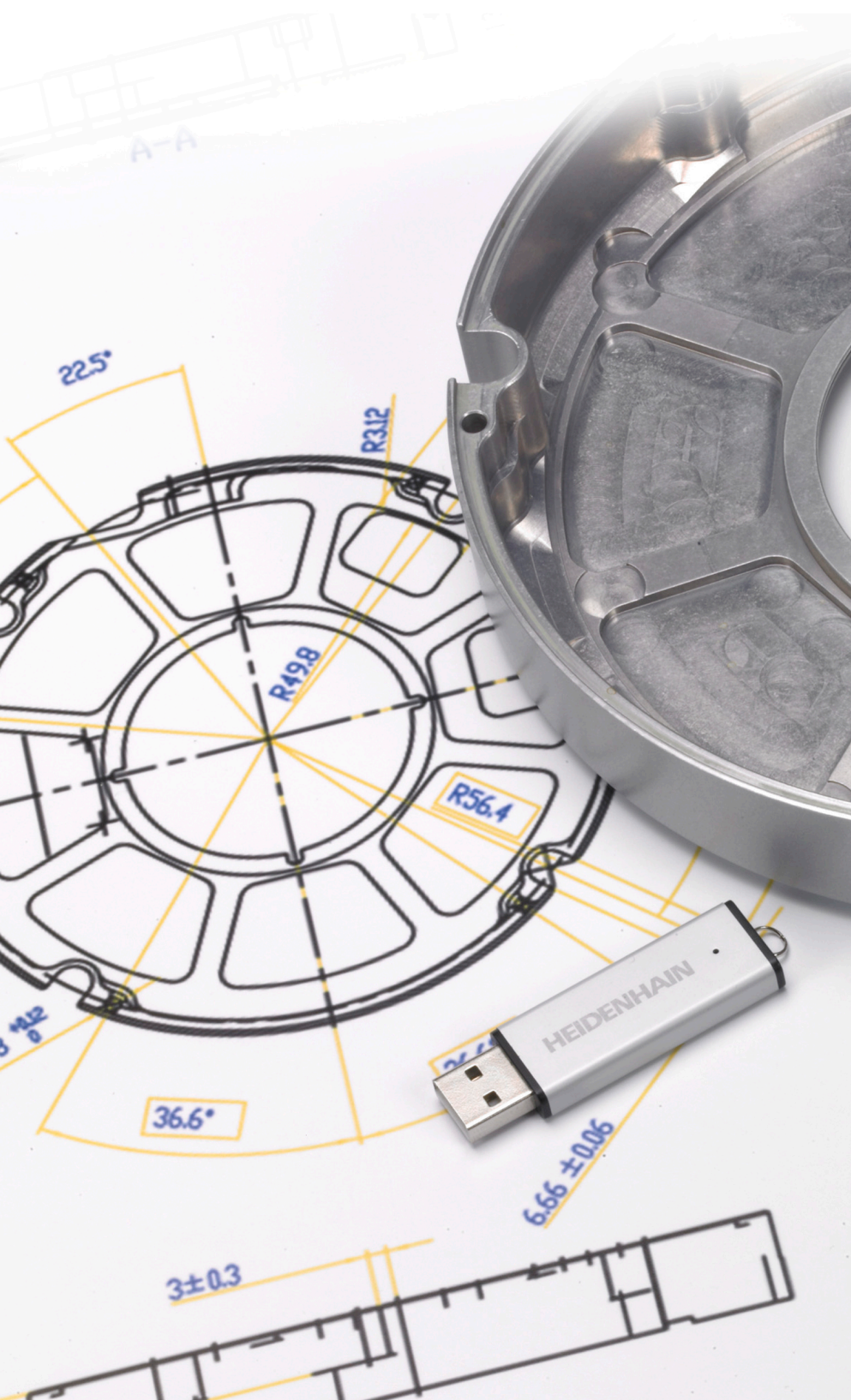




# HEIDENHAIN



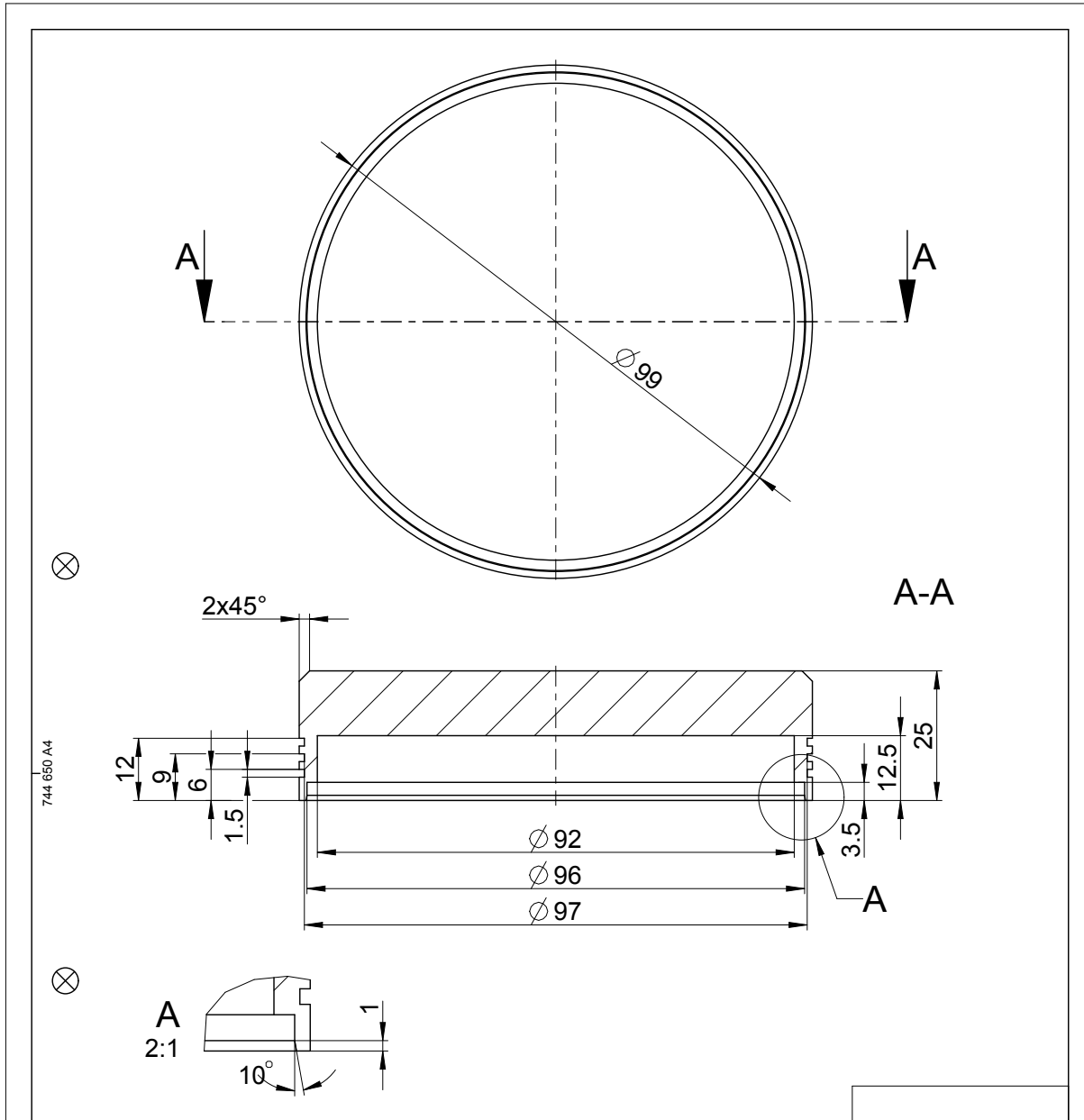
## NC-Solutions

Zeichnungssatz 13003

Deutsch (de)  
4/2017

# 1 Zeichnungssatz\_13003

## Zeichnung Deckel



744 650 A4

Text:			ID number	
			Change No. C000941-05	
			Phase: Nicht-Serie	
	Original drawing		<b>Welle</b> <b>Shaft</b>	
RoHS	Scale 1:1	Format A4		
Maße in mm / Dimensions in mm			Einzelteilzeichnung / Component Drawing	
Werkstückkanten nach ISO 13715 Workpiece edges ISO 13715		Allgemeintoleranzen ISO 2768-mH General tolerances ISO 2768-mH		Tolerierung nach ISO 8015 Tolerances as per ISO 8015
		≤6mm: ±0,2 ≤6mm: ±0,2		●blanke Flächen/Blank surfaces Oberflächen nach ISO 1302 Surfaces as per ISO 1302
Oberflächenbehandlung: Surface treatment:				
The reproduction, distribution and utilization of this document as well as the communication of its contents to others without express authorization is prohibited. Offenders will be held liable for the payment of damages. All rights reserved in the event of the grant of a patent, utility model or design. ( ISO 16016 )				
<b>HEIDENHAIN</b> DR. JOHANNES HEIDENHAIN GmbH 83301 Traunreut, Germany		Created	Responsible	Released
		M-TS		
		Version   Revision   Sheet   Page		
		06.07.2015		
		<b>D1145556-00-A-01</b>		1 of 1
		Document number		

Zeichnung Unterteil

