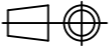
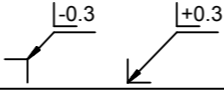
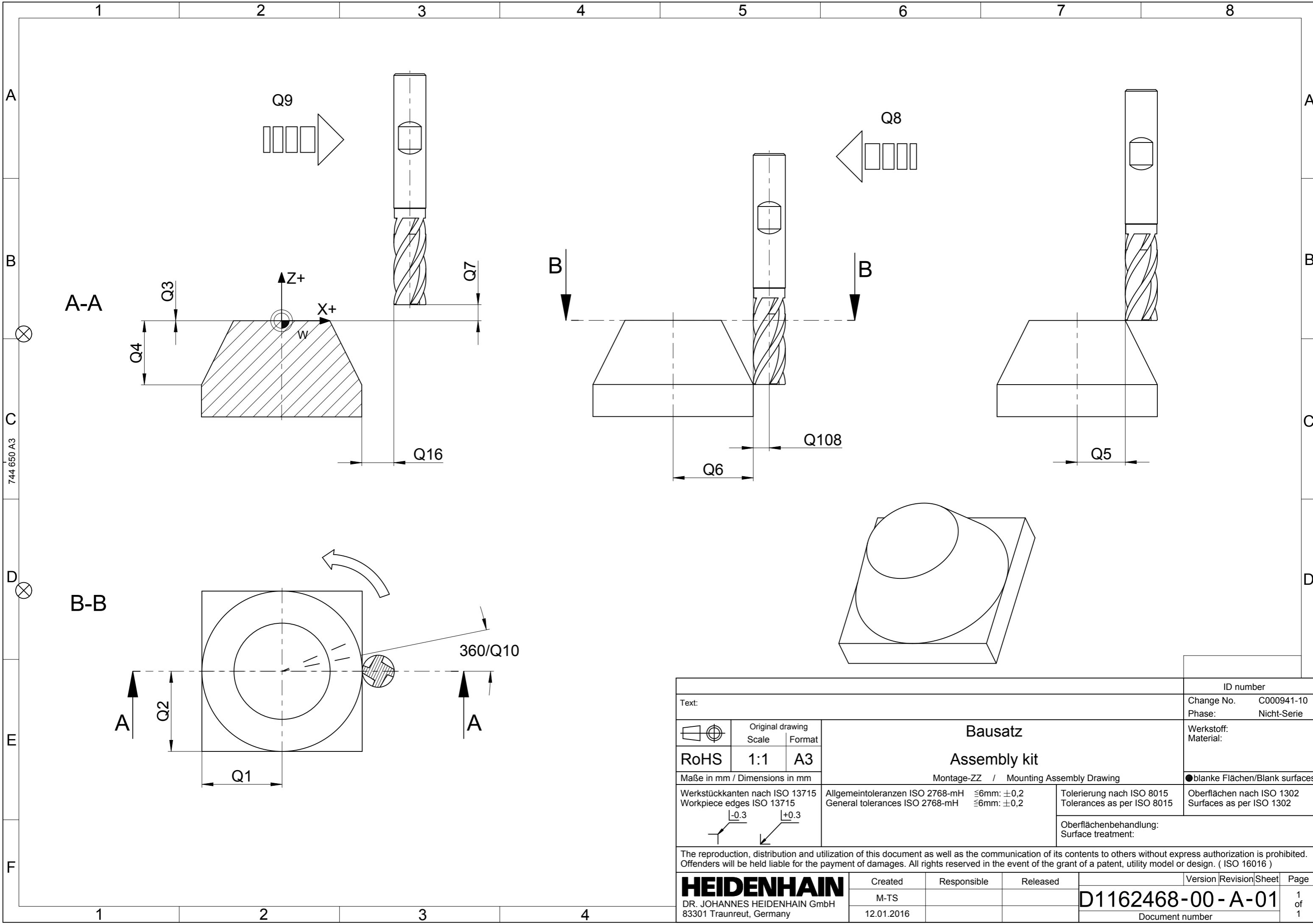


744 650 A3

1099475-01

Text:			ID number	
 Original drawing Scale: 2:1 Format: A3			Release number:	
RoHS: 2:1 A3			Werkstoff: Material:	
Maße in mm / Dimensions in mm			Einzelteilzeichnung / Component Drawing	
Werkstückkanten nach ISO 13715 Workpiece edges ISO 13715			Tolerierung nach ISO 8015 Tolerances as per ISO 8015	
			Oberflächen nach ISO 1302 Surfaces as per ISO 1302	
Allgemeintoleranzen ISO 2768-mH ≤6mm: ±0,2 General tolerances ISO 2768-mH ≤6mm: ±0,2			Oberflächenbehandlung: Surface treatment:	
The reproduction, distribution and utilization of this document as well as the communication of its contents to others without express authorization is prohibited. Offenders will be held liable for the payment of damages. All rights reserved in the event of the grant of a patent, utility model or design. (ISO 16016)				
HEIDENHAIN DR. JOHANNES HEIDENHAIN GmbH 83301 Traunreut, Germany			Created M-TS 12.02.2014	Responsible
			Released 	Version Revision Sheet Page
			D1099375-00-A-01 Document number	
			1 of 1	



744 650 A3

Text:			ID number																
Change No. C000941-10			Phase: Nicht-Serie																
<table border="1"> <tr> <td></td> <td>Original drawing</td> <td colspan="3">Bausatz</td> </tr> <tr> <td>RoHS</td> <td>Scale</td> <td>Format</td> <td colspan="2">Assembly kit</td> </tr> <tr> <td></td> <td>1:1</td> <td>A3</td> <td colspan="2">Montage-ZZ / Mounting Assembly Drawing</td> </tr> </table>				Original drawing	Bausatz			RoHS	Scale	Format	Assembly kit			1:1	A3	Montage-ZZ / Mounting Assembly Drawing		Werkstoff: Material:	
	Original drawing	Bausatz																	
RoHS	Scale	Format	Assembly kit																
	1:1	A3	Montage-ZZ / Mounting Assembly Drawing																
Maße in mm / Dimensions in mm			●blanke Flächen/Blank surfaces																
Werkstückkanten nach ISO 13715 Workpiece edges ISO 13715		Allgemeintoleranzen ISO 2768-mH General tolerances ISO 2768-mH		Tolerierung nach ISO 8015 Tolerances as per ISO 8015															
				Oberflächen nach ISO 1302 Surfaces as per ISO 1302															
Oberflächenbehandlung: Surface treatment:																			
The reproduction, distribution and utilization of this document as well as the communication of its contents to others without express authorization is prohibited. Offenders will be held liable for the payment of damages. All rights reserved in the event of the grant of a patent, utility model or design. (ISO 16016)																			
HEIDENHAIN DR. JOHANNES HEIDENHAIN GmbH 83301 Traunreut, Germany			Created	Version															
M-TS			Responsible	Revision															
12.01.2016			Released	Sheet															
			Page																
			1 of 1																
			D1162468-00-A-01																
			Document number																