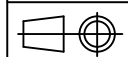
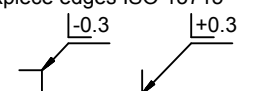
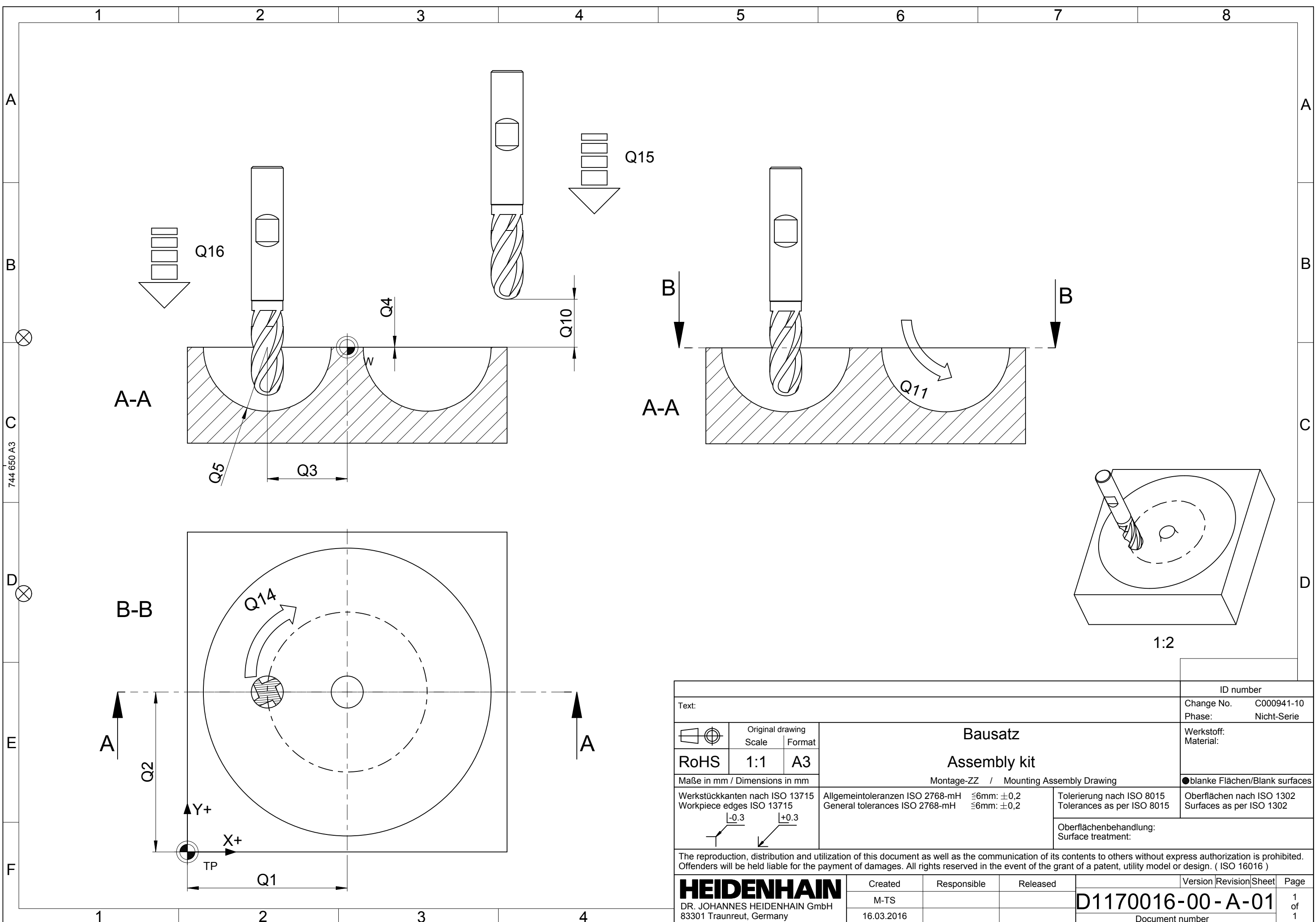


744 650 A3

1114775-01

Text:			ID number							
			Release number: C000941-5							
<table border="1"> <tr> <td>Original drawing</td> <td>Scale</td> <td>Format</td> </tr> <tr> <td>RoHS</td> <td>1:1</td> <td>A3</td> </tr> </table>			Original drawing	Scale	Format	RoHS	1:1	A3	<p><b>Platte</b> <b>Plate</b></p>	
Original drawing	Scale	Format								
RoHS	1:1	A3								
Maße in mm / Dimensions in mm			Einzelteilzeichnung / Component Drawing							
Werkstückkanten nach ISO 13715 Workpiece edges ISO 13715			Allgemeintoleranzen ISO 2768-mH $\leq 6\text{mm}$ : $\pm 0,2$ General tolerances ISO 2768-mH $\leq 6\text{mm}$ : $\pm 0,2$							
			Tolerierung nach ISO 8015 Tolerances as per ISO 8015							
			Oberflächen nach ISO 1302 Surfaces as per ISO 1302							
			Oberflächenbehandlung: Surface treatment:							
The reproduction, distribution and utilization of this document as well as the communication of its contents to others without express authorization is prohibited. Offenders will be held liable for the payment of damages. All rights reserved in the event of the grant of a patent, utility model or design. ( ISO 16016 )										
<b>HEIDENHAIN</b> DR. JOHANNES HEIDENHAIN GmbH 83301 Traunreut, Germany			Created	Responsible						
			Released	Version						
			Revision	Sheet						
			Page							
			<b>D1114775-00-A-01</b> Document number							
			1 of 1							



744 650 A3

Text:			ID number	
			Change No.	C000941-10
			Phase:	Nicht-Serie
	Original drawing Scale	Format	<b>Bausatz</b> <b>Assembly kit</b>	
RoHS	1:1	A3		
Maße in mm / Dimensions in mm			Montage-ZZ / Mounting Assembly Drawing	
Werkstückkanten nach ISO 13715 Workpiece edges ISO 13715		Allgemeintoleranzen ISO 2768-mH General tolerances ISO 2768-mH	≤6mm: ±0,2 ≥6mm: ±0,2	Tolerierung nach ISO 8015 Tolerances as per ISO 8015
		Oberflächenbehandlung: Surface treatment:		
The reproduction, distribution and utilization of this document as well as the communication of its contents to others without express authorization is prohibited. Offenders will be held liable for the payment of damages. All rights reserved in the event of the grant of a patent, utility model or design. ( ISO 16016 )				
<b>HEIDENHAIN</b> DR. JOHANNES HEIDENHAIN GmbH 83301 Traunreut, Germany		Created M-TS 16.03.2016	Responsible	Released
			Version	Revision
			Sheet	
			Page	
			<b>D1170016-00-A-01</b>	
			Document number	
			1 of 1	